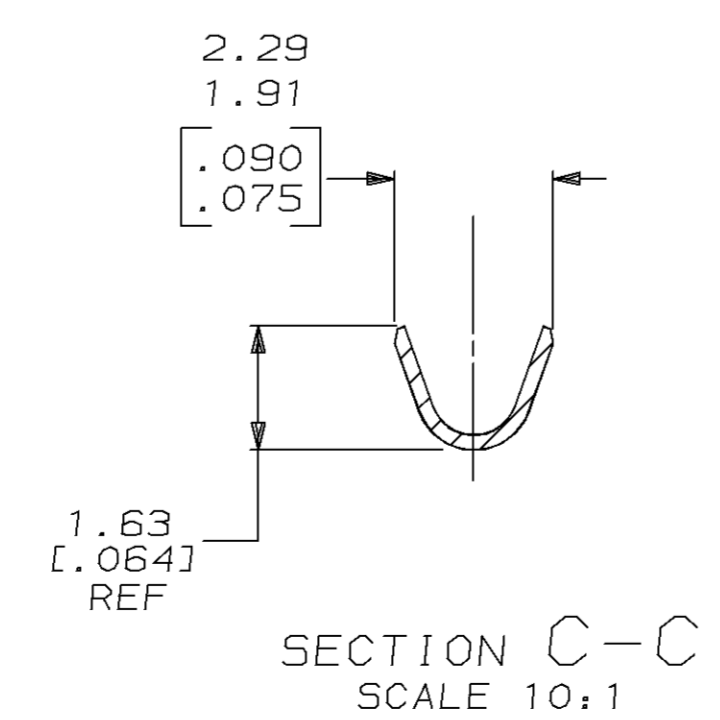
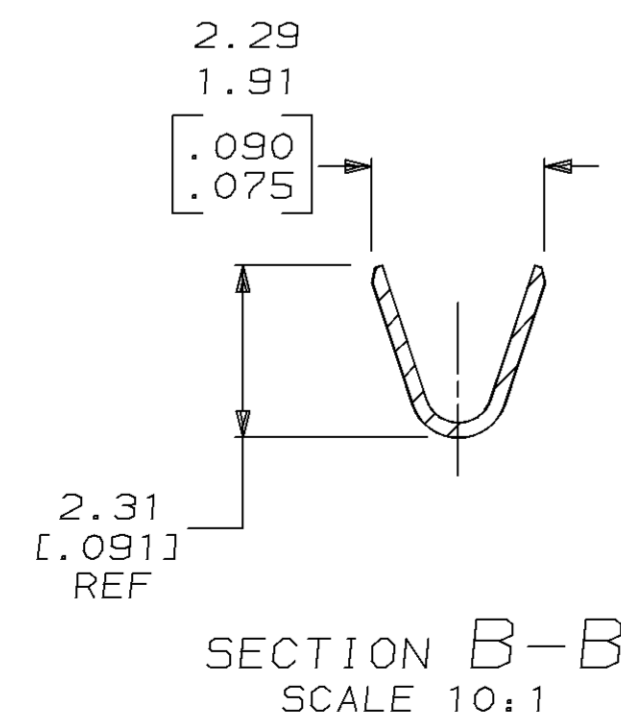
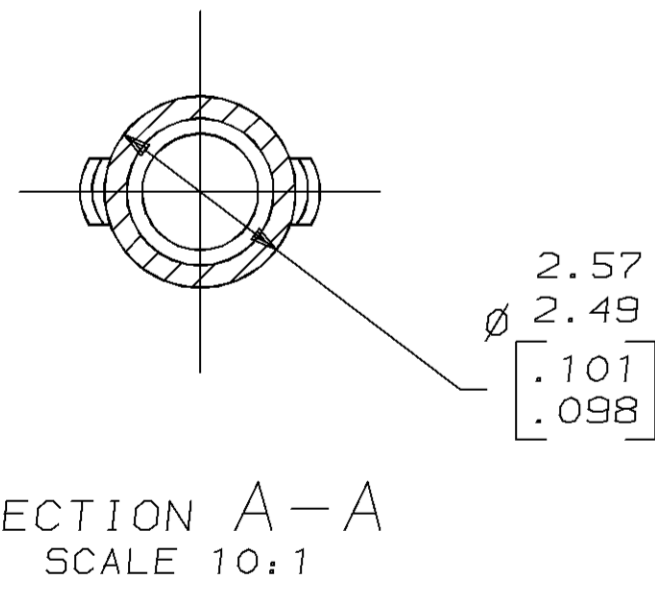
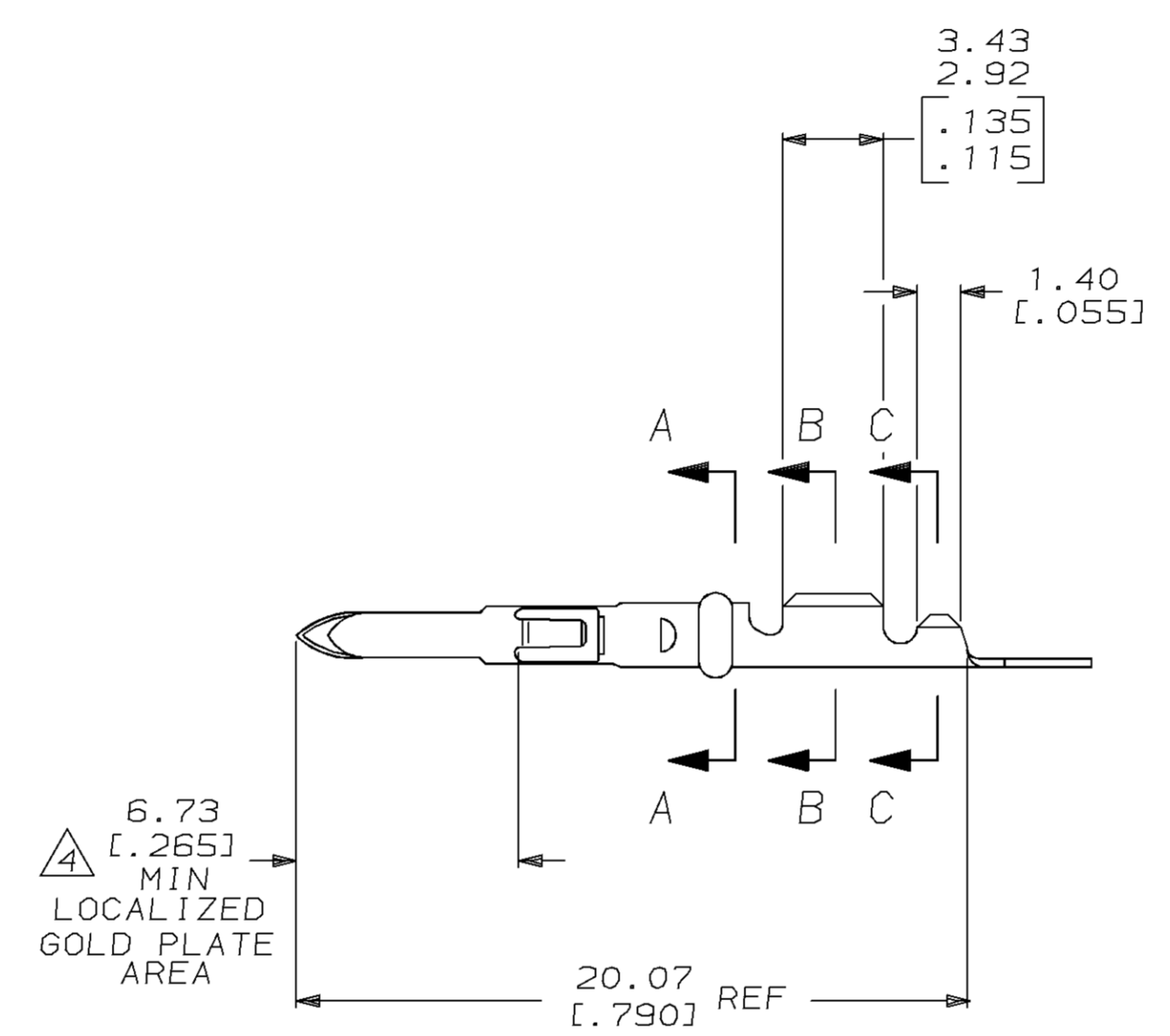
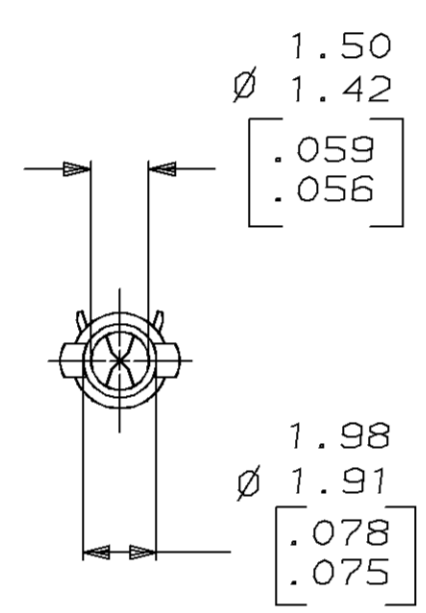
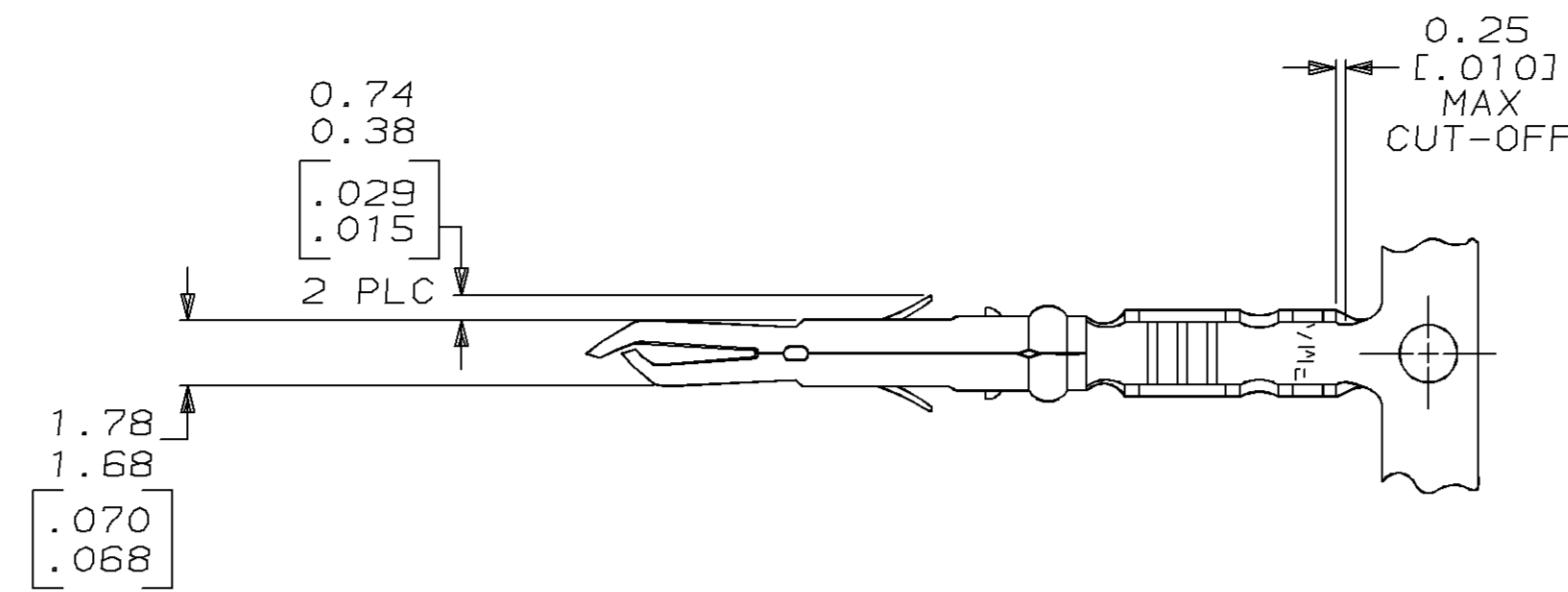


LOC		DIST		P		F		ZONE		LTR		REVISIONS			
CM	52											DESCRIPTION	DATE	APPD	
												F	REV & REDWN PER EC 0730-0059-95	3-21-95	KS RS

- 1 WIRE RANGE: 0.13-0.2mm² (26-24 AWG).
 - 2 INSULATION RANGE: 0.64-1.27 [.025-.050] MAX. DIA.
 - 3 DIMENSIONS IN BRACKETS ARE IN INCHES.
- △ TIP PLATE WITH 0.00076-0.00091 [.000030-.000036] MIN GOLD IN THE LOCALIZED GOLD PLATE AREA OVER 0.00127 [.000050] MIN NICKEL UNDERPLATE.



FINISH	MATERIAL	PART NO
△ GOLD PLATE	0.20 [.008] PHOS BRZ	350968-2
PRE-TIN	0.20 [.008] PHOS BRZ	350968-1

DO NOT SCALE PRINT. UNLESS SPECIFIED DIMENSIONS IN mm [INCHES] TOLERANCES ON:		DR 3-21-95 K. SALMON		AMP Incorporated Harrisburg, PA 17105-3608	
2 PLC DEC ± 0.13 [.005]		CHK 3-21-95 R. SWING			
3 PLC DEC ± -		APPD 3-21-95 W. LONG		NAME	
ANGLES ± -		APPD 3-21-95 W. LONG		MR PIN	
MATERIAL		PRODUCT SPEC			
SEE TABLE		APPLICATION SPEC		SIZE	CAGE CODE
SEE TABLE		-		D	00779
		WEIGHT		DRAWING NO	©-350968
		-		SCALE	5:1
				SHEET	1 OF 1

METRIC

THIS DRAWING IS A CONTROLLED DOCUMENT FOR AMP INCORPORATED. IT IS SUBJECT TO CHANGE AND THE CONTROLLING ENGINEERING ORGANIZATION SHOULD BE CONTACTED FOR THE LATEST REVISION.

CUSTOMER DRAWING